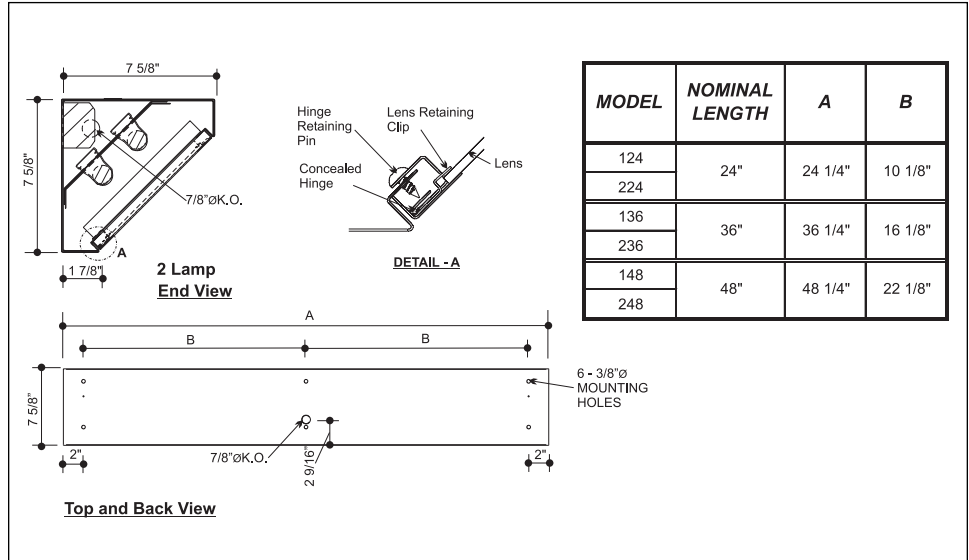


- Welded steel housing with white enamel finish.
- Hinged frame retains diffuser, for easy maintenance.
- Clear, prismatic, acrylic diffuser.
- Available with 1 or 2 lamps.
- Uses T8 or T5HO lamps.



APPLICATIONS

Stairwells / Corridors / Hospital / Nursing Homes / Chronic Care Facilities / Locker rooms/ Fitting Rooms

GENERAL DESCRIPTION

Specification grade, corner mounted fluorescent luminaire. For use in indoor applications. Available in 2, 3 and 4 foot lengths. Comes in 1 or 2 lamp cross-sections. Provisions for continuous row mounting. Mounts over electrical junction box.

CONSTRUCTION

Welded and brake formed, code gauge cold rolled steel. Spot-welded for rigidity and clean appearance. Diffuser is held within a hinged frame door. Hinge is concealed. The metal-to-metal design of the door eliminates most light leaks. End caps may be butted together for continuous row mounting. Flattened knockouts are provided on ends for through wiring.

MOUNTING

Mounting holes are provided. Mounts over electrical junction box.

FINISH

Powder painted high reflectance white housing.

OPTICS

Standard diffuser is a clear, prismatic, pattern #12 extruded acrylic lens, designed for high efficiency and low glare illumination. Optional shielding is available. See Product Key for alternate configurations.

ELECTRICAL

All electrical components are UL or CSA approved. Ballasts and lamp holders are replaceable without removing the luminaire from the mounting surface. Electronic Ballast is Standard. See Product Selection for optional ballasts. The standard voltage is 120V, 60 Hz, or as specified. Other Voltage and frequency ratings are also available. Sufficient knockouts are provided on the back and ends for connections and through wiring.

APPROVALS

Approved to UL or CSA standards.

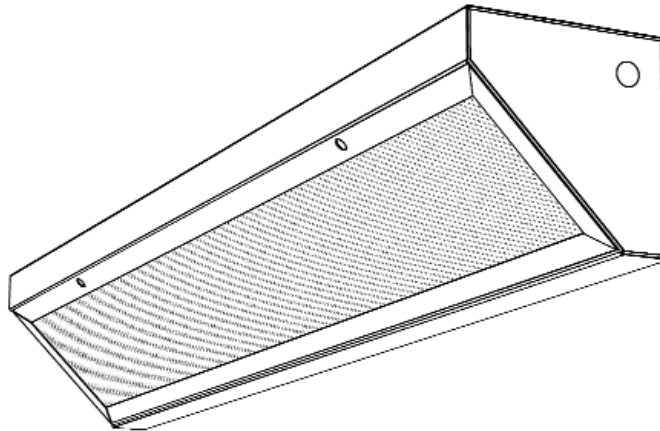


OPTIONS

- Vandal resistant door frame.
- Tamperproof fasteners.
- Polycarbonate rotary lock lampholders.
- Consult factory for other finishes.
- Acrylic lens #12 pattern, 0.125" thick.
- Clear prismatic polycarbonate lens.
- Light leak gasketing.
- No cartons - Bulk packed and wrapped on pallets.

ACCESSORIES

- Fuse holder.
- Emergency lighting power pack.
- Radio interference filter.
- Lamps included but not installed.
- Motion Sencor
- Dimming Ballasts



ORDERING KEY

