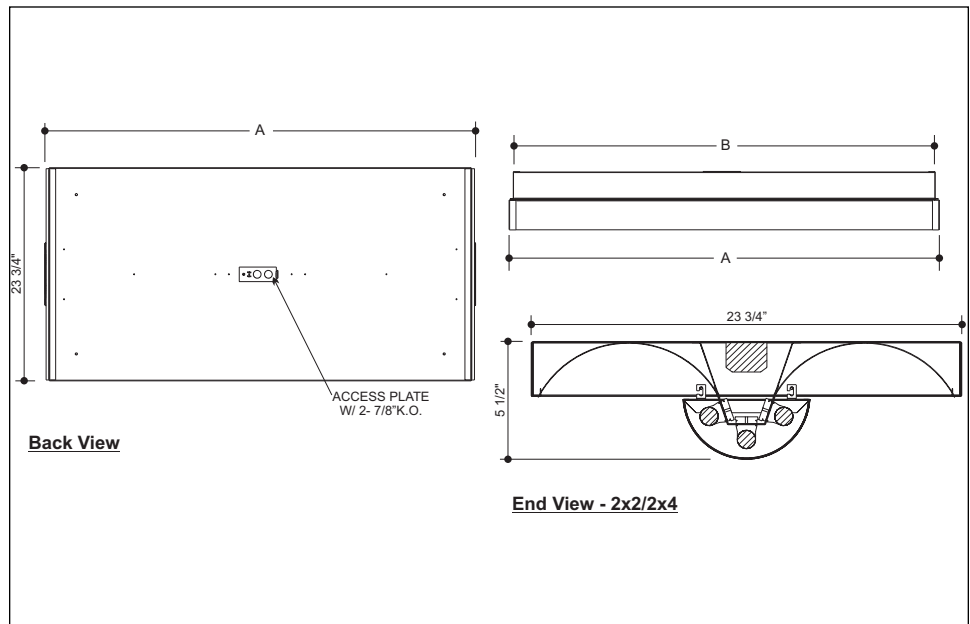


- Single, basket shaped perforated metal shield.
- Translucent, opal white acrylic diffuser overlay.
- Clean appearance. No exposed fasteners.
- Uses T5, T8 or Biax lamps.



APPLICATIONS

Office Areas / Retail Stores / Class Rooms / Corridors .

GENERAL DESCRIPTION

Premium grade, recessed, high performance, lay-in direct/indirect coffered T-bar troffer with modern styling and high visual comfort. Comes with single basket shaped perforated metal shield. Available in 2'x2' and 2'x4' configurations. Shallow design accommodates mounting into low ceiling plenums. For use in indoor applications where low glare, high quality and ease of installation are required.

CONSTRUCTION

Metal shielding flexes over mounting studs on housing, for easy installation and re-lamping. Wiring access plate or knockouts are provided on back of housing, for flexible conduit attachment.

MOUNTING

Holes provided for chain mounting support to building structure. Integral earthquake clips.

FINISH

Powder painted matte white visible surfaces.

OPTICS

Shields are perforated for direct illumination and contain a translucent opal white acrylic overlay diffuser for visual comfort. Indirect reflectors are precision formed and contoured to provide soft, low glare indirect illumination while maintaining high efficiency and a wide uniform lighting distribution.

ELECTRICAL

All electrical components are UL or CSA approved. Lamp holders provided ensure positive lamp retention. Standard ballasts is electronic. The standard voltage is 120V, 60 Hz, or as specified. Units suitable for multi-volt-ages and suitable for 50-60 Hz are also available. Fixtures are provided with an access plate, to facilitate wiring to external power source. Sufficient knockouts are provided for connections and through wiring. Approximately 6" ballast leads extend through wiring access cover, in order to facilitate external wiring of luminaire.

APPROVALS

Approved to UL and CSA standards.

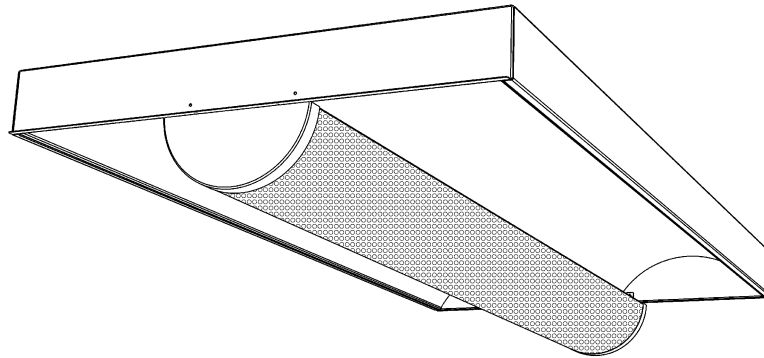


OPTIONS

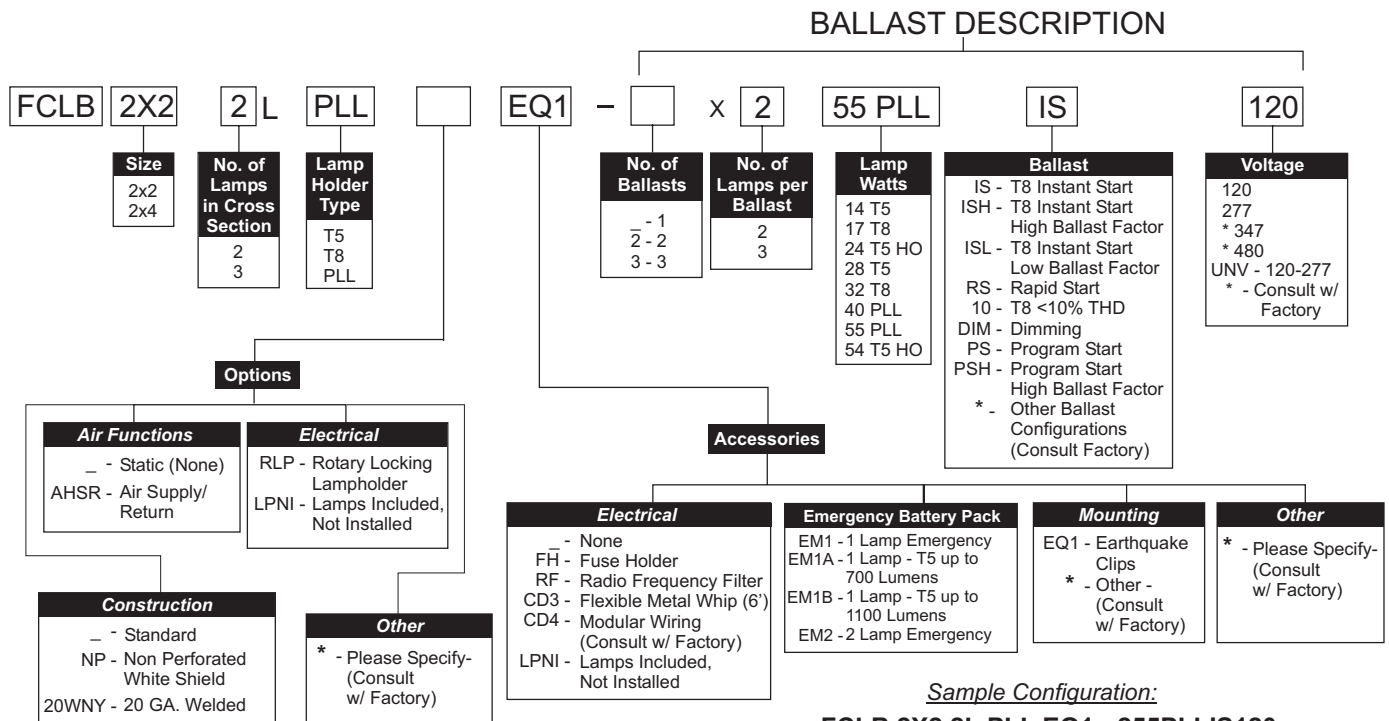
- Non perforated matte white shield.
- 20 gauge welded construction.
- Air supply/return slots.
- Polycarbonate rotary lock lampholders.
- No cartons - Bulk packed and wrapped on pallets.

ACCESSORIES

- Earthquake clips (for air handling units).
- Emergency lighting power pack.
- Radio interference filter.
- Fuse holder.
- Lamps included but not installed.
- Flexible metal whip - 6' x 3/18 gauge conductors.
- Modular wiring system. (Consult factory.)



ORDERING KEY



Sample Configuration:

FCLB 2X2 2L PLL EQ1 - 255PLLIS120

**Note: Certain configurations may not be available*