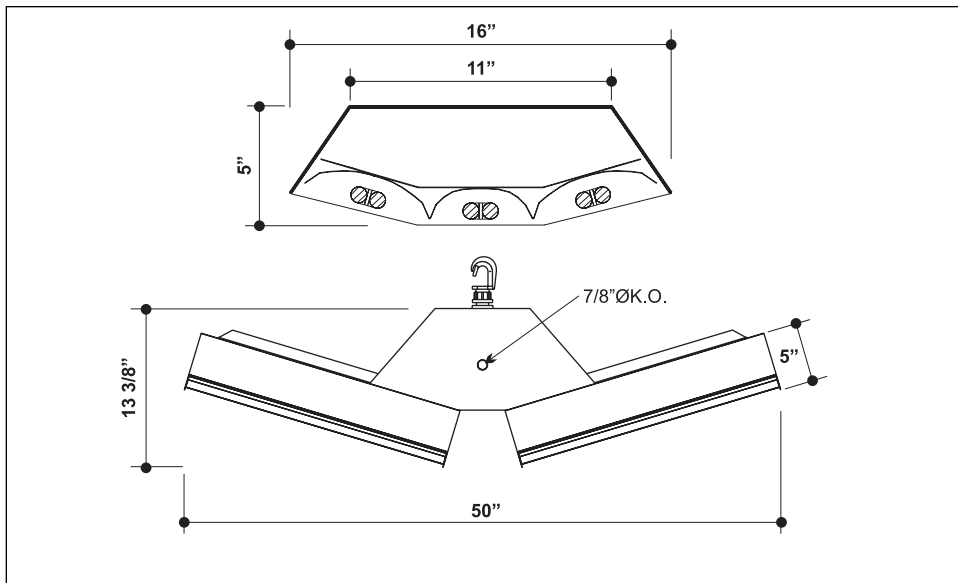
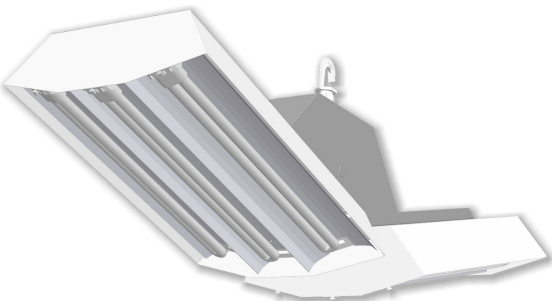


- HID alternative or replacement.
- Ideal for maximum energy savings in manufacturing, warehouse, home center and distribution centers where general area lighting is critical.
- Replaces 250 watt or 400 watt HID.
- Up to 50% energy savings compared to equivalent metal halide luminaire's.
- Uses 4-pin high lumen compact fluorescent lamps.
- Available in pendant or hook mounting configuration.
- Motion sensor compatible.
- Multi level switching.
- Full dimming available.
- Emergency options available.
- Rigid, heavy duty construction.
- CNC formed, multi faceted reflector is 95% specular aluminum and 92% high performance white aluminum is available.
- Locking lampholders are standard.



APPLICATIONS

Home Center / Manufacturing / Retail Stores / Supermarkets / Warehouses.

GENERAL DESCRIPTION

Specification grade, high performance, alternate to HID for use in indoor applications where high efficiency and ease of installation are required. Fluorescent lamps provide instant on and restrike as well as superior maintained lumen output, higher CRI and maintained color. Locking lampholders are standard.

CONSTRUCTION

Main housings are brake formed, heavy gauge cold rolled steel housing and ends. Return lip on housing provides exceptional rigidity. Bracket assembly is brake formed, heavy gauge galvanized steel. Fixture housing and bracket are assembled by a simple slide on method and fastened in place.

MOUNTING

Designed for pendant or hook mounting. Standard mounting is 3/4" hub.

FINISH

White enamel coated housing and galvanized mounting bracket assembly.

OPTICS

CNC formed multi-faceted, optimized reflector is available in numerous finishes and materials. 95% enhanced specular aluminum is standard. A protective layer is removed during installation to ensure a clean, blemish free reflective surface.

ELECTRICAL

All electrical components are UL or CSA approved. Locking lampholders are standard for secure lamp retention. Available in 120V and 277V, consult factory for other voltage. Electronic ballast is standard and available in numerous configurations. Multi level switching and dimming is available. Sufficient knockouts are provided for electrical connection.

APPROVALS

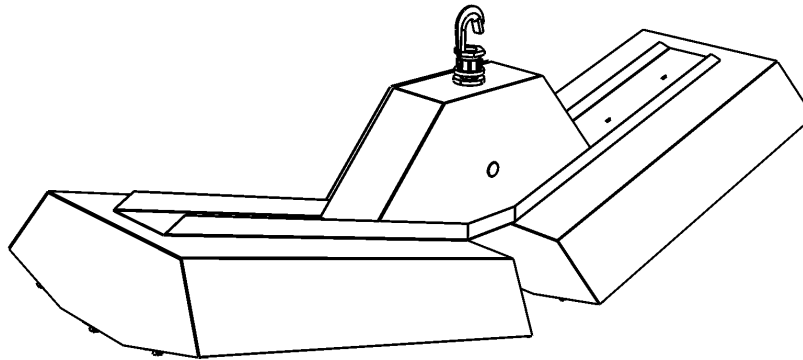
Approved to UL and CSA standards.

OPTIONS

- 92% High performance white aluminum.
- Electronic dimming ballast.
- Multi level switching.
- Welded construction.
- Consult factory for other finishes.

ACCESSORIES

- Pendant mounting stems and hardware.
- Motion sensor and assembly.
- Fuse holder.
- Emergency lighting power pack.
- Wireguard
- Lamps (specify type and color)
- 3/4" O.D. rod sets.



COMPLETE FIXTURE WITH MOUNTING BRACKET & HOOK SHOWN

ORDERING KEY

