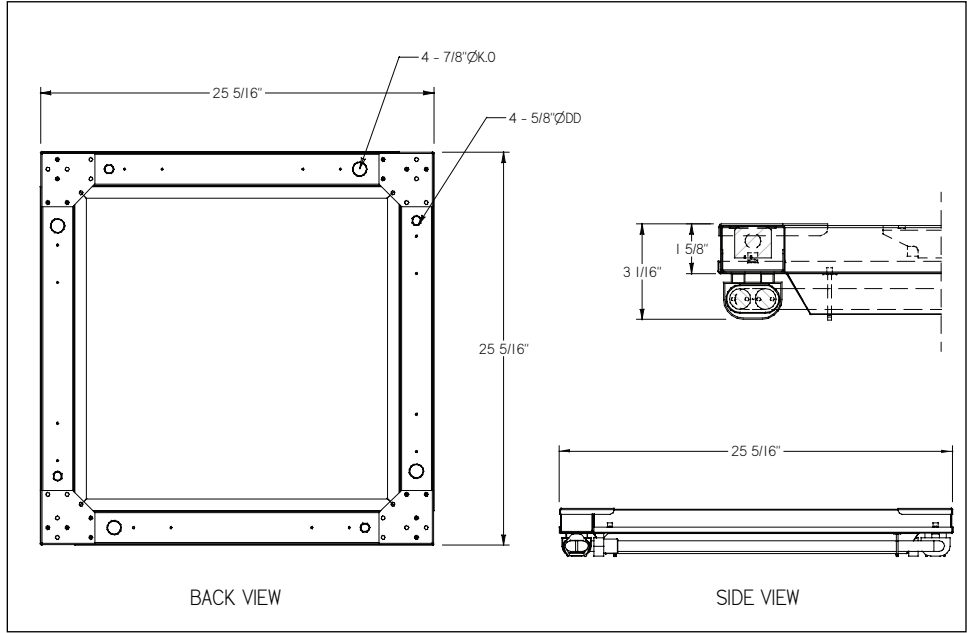




- HID alternative or replacement.
- 50% energy savings compared to standard 400W metal halide high bay.
- Advanced high efficiency PLL (BIAx) lamps
- Ideal for retrofit installations.
- Symmetric light distribution.
- Easy installation - hook or mounting channel assembly.
- Motion sensor compatible.
- Multi level switching.
- High efficiency cutoff reflector.
- Steel housing with white enamel finish.



APPLICATIONS

Gymnasiums / Athletic Centers / Multi-purpose Rooms / Retail Stores / Manufacturing Areas / Warehouse Areas / Supermarkets

GENERAL DESCRIPTION

Mid Grade, suspended mount, high performance, luminaire. For use in indoor applications where high efficiency, high performance and ease of installation are required. Lighting distribution makes this luminaire ideal as an HID retrofit or replacement. Fluorescent lamps offer instant warm up and restrike as well as maintained lumen output. Uses high efficiency fluorescent T5 technology. Cutoff reflector design provides a more uniform, wider area lighting distribution, but with a substantial uplight component. Mounts and installs easily with hook and cord. High ceiling application.

CONSTRUCTION

Die formed, code gauge pre-painted white cold rolled steel. Brake formed, 24 gauge cold rolled steel reflector. Heavy gauge corner assemblies provide structural integrity and are designed for quick on-site assembly.

MOUNTING

Hardware is provided, for hook mounting. Optional dual hooks and mounting channel assembly, to be used wherever uniform fixture alignment within rows is critical. Ideal for new installations.

FINISH

Powder painted high reflectance white reflector is standard. 95% enhanced specular aluminum is optional.

OPTICS

Standard 1/2 reflectors are solid and are coated with a durable, high reflectance white finish which provides a large uplight component. Optional 1/2 and full reflectors are available with a slotted uplight component. Optional reflector configurations are available in 95% high reflectance specular aluminum.

ELECTRICAL

All electrical components are UL or CSA approved. Locking lamp holders provided ensure positive lamp retention. Standard ballasts are electronic rapid start, uses high efficient PLL (BIAx) lamps, providing excellent color rendering. The standard voltage is 120V, 60Hz, or as specified. Units suitable for multi-voltages and 50-60 Hz are also available. See product selection for optional ballasts. Fixtures are provided with sufficient cable, to facilitate wiring to external power source.

APPROVALS

Approved to UL and CSA standards.

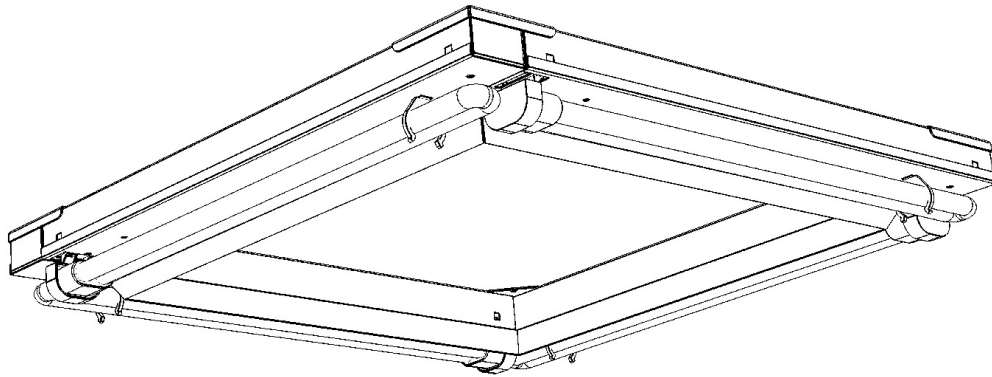


OPTIONS

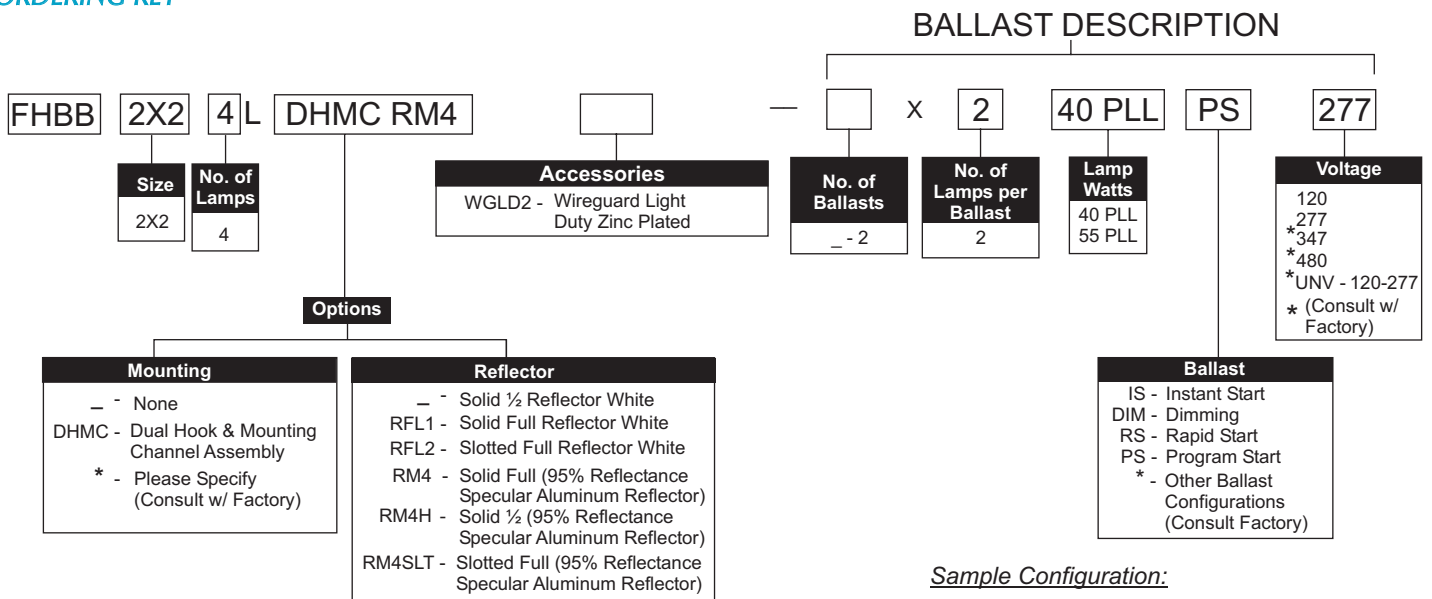
- Two circuit cab tire cord.
- 95% reflectance, specular aluminum reflector.
- Solid 1/2 specular aluminum reflector with 95% reflectance.
- Slotted full specular anodized aluminum reflector with 95% reflectance.
- Solid full reflector, painted white.
- Slotted full reflector, painted white.
- Dual hooks and mounting channel assembly.

ACCESSORIES

- Motion sensor and assembly
- Wireguard



ORDERING KEY



Sample Configuration:

FHBB 2X2 4L DHMC RM4 - 240PLLPS277

**Note: Certain configurations may not be available*