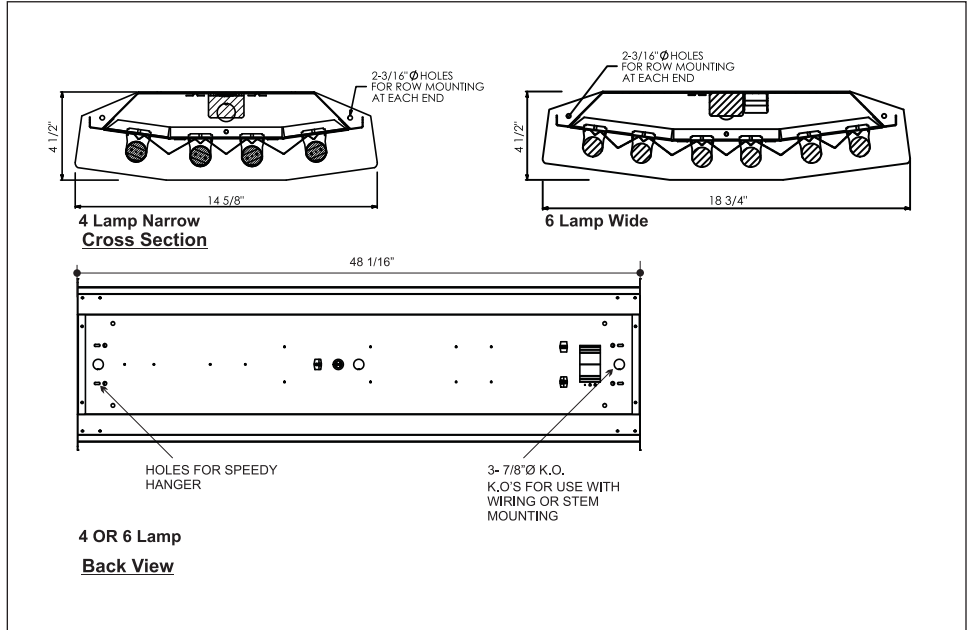




- HID alternative or replacement
- Replaces 250 or 400 watt
- Up to 50% energy savings compared to equivalent metal halide luminaire
- Wide beam lighting distribution for general area lighting
- Surface, stem, or chain mountable
- High reflectance internal reflector (RM4)
- Wire guard hinges for easy maintenance
- Available with 4 or 6 lamps
- Uses T5 or T8 lamps



### APPLICATIONS

Retail Stores / Manufacturing Areas / Warehouse Areas / Supermarkets / Large Storage Rooms

### GENERAL DESCRIPTION

Fluorescent industrial fixture. Lighting distribution and energy efficiency makes this luminaire ideal as an HID substitute. Fluorescent lamps offer instant warm up and restrike as well as maintained lumen output. For use in indoor applications where high efficiency, high performance and ease of installation are required. Suitable for surface or suspended mounting individually or in continuous rows. High ceiling application. Standard RM4 high-reflectance (95%) specular anodized aluminum reflector.

### CONSTRUCTION

Die and brake formed, 22 gauge cold rolled steel housing assembly. 20 gauge end caps may be butted together for continuous row mounting. Wiring access plate and knockouts are provided on back of housing.

### MOUNTING

Speedy hangers or chain mounting options available.

### FINISH

Powder painted white housing.

### OPTICS

CNC formed multi-faceted optimized reflector is available in numerous finishes and materials. Enhanced specular aluminum is standard with 95% reflectance. A protective layer is removed during installation to ensure a clean, blemish free reflective surface.

### ELECTRICAL

All electrical components are UL listed or CSA approved. See product selection for optional ballasts. Sufficient knockouts are provided for connections and through wiring.

### APPROVALS

Approved to UL and CSA standards.

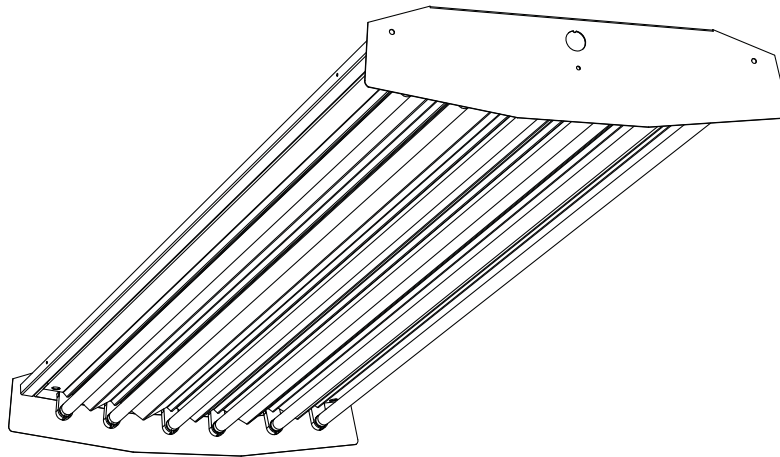


### OPTIONS

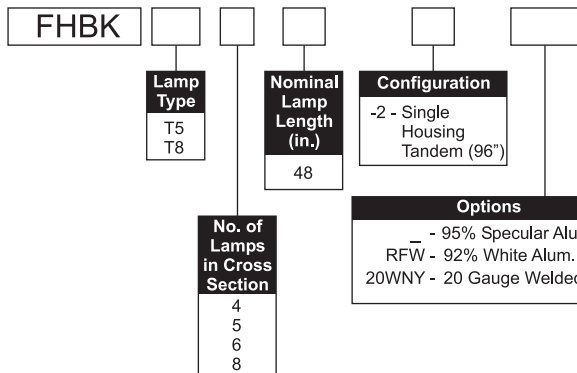
- Solid full aluminum reflector 92% white
- Multi-level switching
- Dimmable ballast
- Emergency ballast options
- No cartons - bulk packed and wrapped on pallets
- Wire guard available

### ACCESSORIES

- Heavy duty wire guards powder coated white finish, comes with mounting hardware
- Wire guard hinges for easy maintenance
- Motion sensor and assembly
- Chain sets
- Stem and canopy sets
- Flexible cord feed



### ORDERING KEY



Sample Configuration:  
**FHBK T8 6 48 MS - 2X332T8ISH120**

\*Note: Certain configurations may not be available

### BALLAST DESCRIPTION

