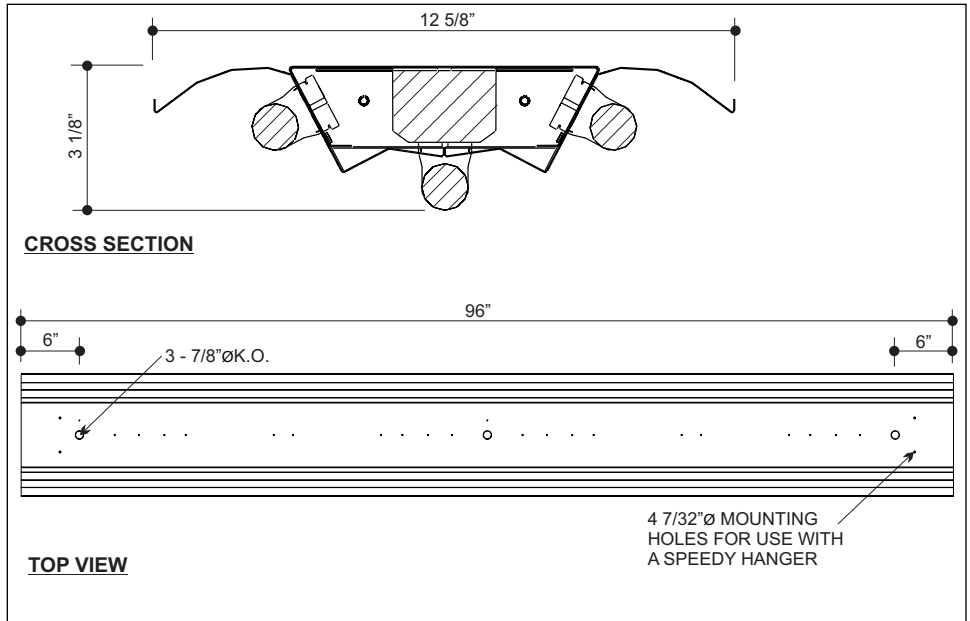




- HID alternative.
- Wide angle light distribution
- Ideal for High Bay or Low Bay applications.
- Multiple lamp and ballast combinations available
- CNC formed, multi faceted reflector is available in many finishes.
- Pendant, surface and chain mounting individually or continuous row.
- Motion sensor compatible.
- Multi level switching.
- Rigid, heavy duty construction.
- Steel housing with white enamel finish.
- Rotary lock lamp holders
- Optional slotted reflectors are available for upright component.
- Available in 48" and 96" lengths
- Available in T5HO and T8 configurations.
- Full dimming option available.
- Emergency options available.
- Lamps, specify type and color.



APPLICATIONS

Manufacturing Areas / Retail Stores / Supermarkets / Warehouse Areas.

GENERAL DESCRIPTION

Specification grade, Wide angle light distribution high performance, industrial strip fixture. For use in indoor applications where high efficiency, high performance and ease of installation are required. Wide angle light distribution high performance design makes this luminaire ideal as an HID alternative. Fluorescent lamps offer instant warm up and restrike as well as maintained lumen output. High or low ceiling application.

CONSTRUCTION

Brake formed, heavy gauge cold rolled steel housing and ends. Return lip on housing provides exceptional rigidity. Screw fastened or optional welded endplates ensure solid construction and durability.

MOUNTING

Designed for surface, pendant or chain mounting, individually or in continuous rows. Sufficient knockouts are provided on ends and back to accommodate multiple mounting configurations. Holes for optional V (Speedy) Hangers

FINISH

Powder painted white housing components.

OPTICS

CNC formed multi-faceted, optimized reflector is available in numerous finishes and materials. High efficiency 95% specular aluminum reflector is standard. A protective layer is removed during installation to ensure a clean, blemish free reflective surface.

ELECTRICAL

All electrical components are UL or CSA approved. Lamp holders are rotary lock for secure lamp retention and stability. The standard voltage is 120V, 60 Hz, or as specified. Electronic ballast is standard and available in numerous configurations. Multi level switching is available as an option. Sufficient knockouts are available for electrical connection.

APPROVALS

Approved to UL and CSA standards.



