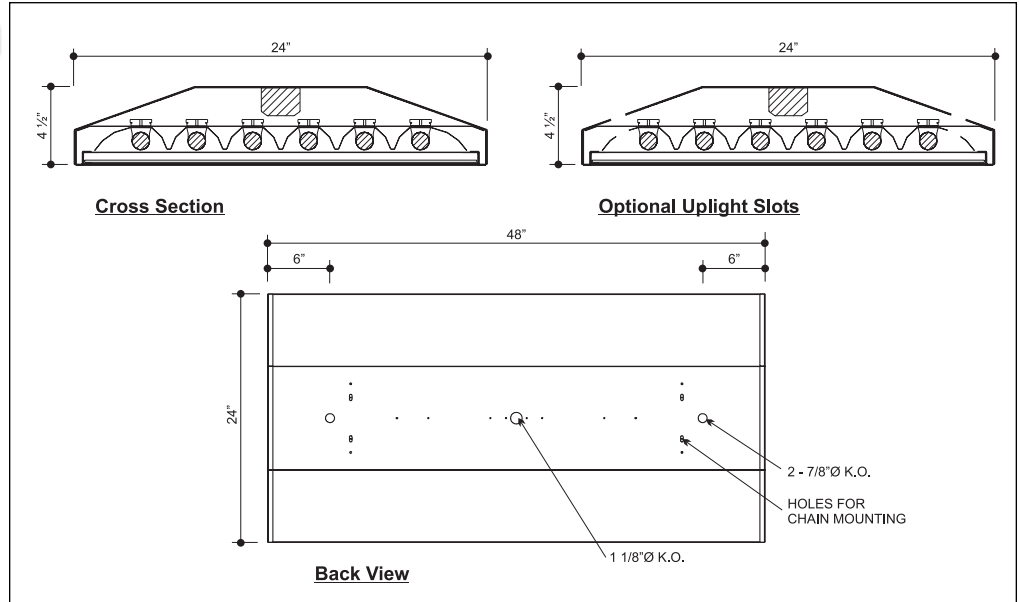


- HID alternative.
- Ideal for High Bay or Low Bay
- Multiple lamp and ballast combinations
- CNC formed, multi faceted reflector is available in many finishes, including 95% specular aluminum and 92% high performance white aluminum
- Rotary Locking Lampholders
- Pendant, surface and chain mountable individually or in continuous rows
- Motion sensor compatible.
- Multi level switching, full dimming, and emergency options available
- Rigid, heavy-duty construction
- Steel housing with white enamel finish.
- Optional upright component
- Available in 48" and 96" nominal lengths
- Available in T5HO and T8 configurations



APPLICATIONS

Gymnasiums / Multi-Purpose Rooms / Retail Stores / Manufacturing Areas / Warehouse Areas / Supermarkets

GENERAL DESCRIPTION

Specification grade, high performance, high or low bay fixture. For use in indoor applications where high efficiency, high performance and ease of installation are required. Narrow light distribution high performance design makes this luminaire ideal as an HID alternative. Fluorescent lamps offer instant warm up and re-strike as well as maintained lumen output, higher CRI, and maintained color. Rotary locking lampholders are standard.

CONSTRUCTION

Brake formed, heavy gauge cold rolled steel housing and ends. Return lip on housing provides exceptional rigidity. Screw fastened or optional welded endplates ensure solid construction and durability. Optional wireguard and lens are securely retained by rigid frame assembly.

MOUNTING

Designed for surface, pendant or chain mounting, individually or in continuous rows. Sufficient knockouts are provided on ends and back to accommodate multiple mounting configurations.

FINISH

White enamel coated housing components.

OPTICS

CNC formed multi-faceted optimized reflector is available in numerous finishes and materials. 95% enhanced specular aluminum is standard. A protective layer is removed during installation to ensure a clean, blemish free reflective surface. Prismatic and optically clear lens is available. Optional upright component available.

ELECTRICAL

All electrical components are UL and CSA approved. Lamp holders are rotary lock for secure lamp retention and stability. Available in many voltages including universal. Electronic ballast is standard and available in numerous configurations. Multi level switching and Dimming is available as an option. Sufficient knockouts are available for electrical connection.

APPROVALS

Approved to UL and CSA standards.



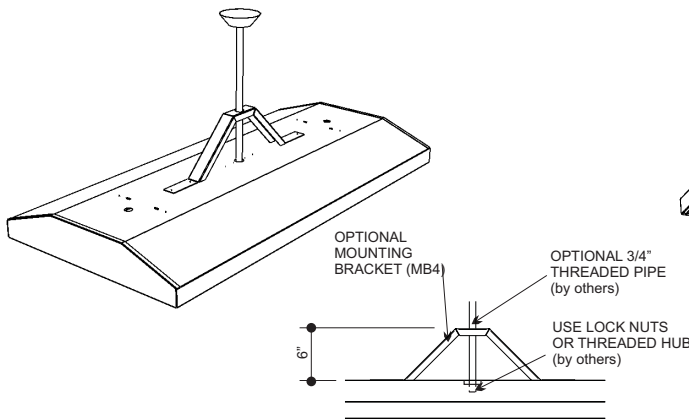
OPTIONS

- 92% High performance white aluminum
- Uplight component
- Dimming
- Welded construction
- Consult factory for other finishes

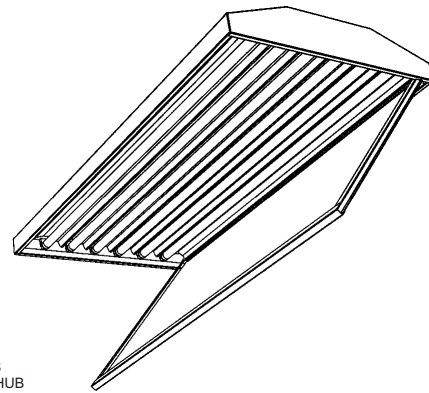
ACCESSORIES

- Pendant mounting stems and hardware
- Motion sensor and assembly
- Fuse holder
- Emergency lighting power pack
- Framed wireguard
- Radio frequency suppressor
- Multi level switching
- Framed prismatic or optically clear Lexan/polycarbonate lens
- Framed prismatic or optically Clear Acrylic lens
- Aircraft cable & canopy set
- Lamps, specify type and color

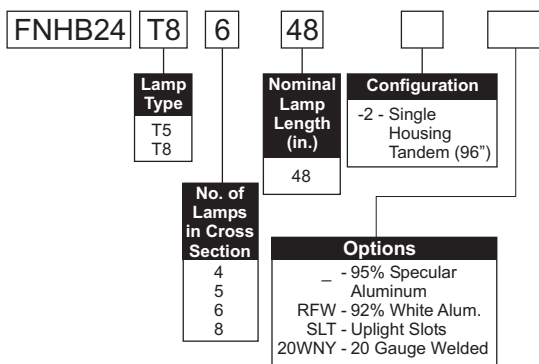
OPTIONAL MOUNTING BRACKET FOR SINGLE STEM PENDANT MOUNT (MB4)



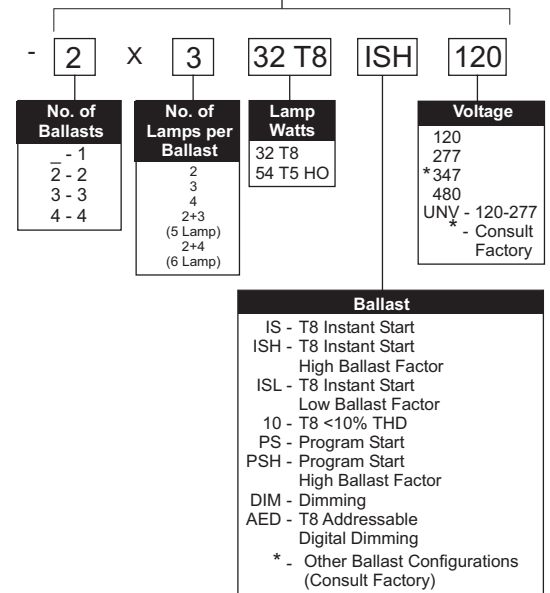
OPTIONAL HINGED DOOR FRAME



ORDERING KEY



BALLAST DESCRIPTION



Sample Configuration:

FNHB24 T8 6 48 MS - 2X332T8ISH120

*Note: Certain configurations may not be available

Emergency Battery Pack
EM1 - 1 Lamp Emergency
EM1A - 1 Lamp - T5 up to 700 Lumens
EM1B - 1 Lamp - T5 up to 1100 Lumens
EM2 - 2 Lamp Emergency

