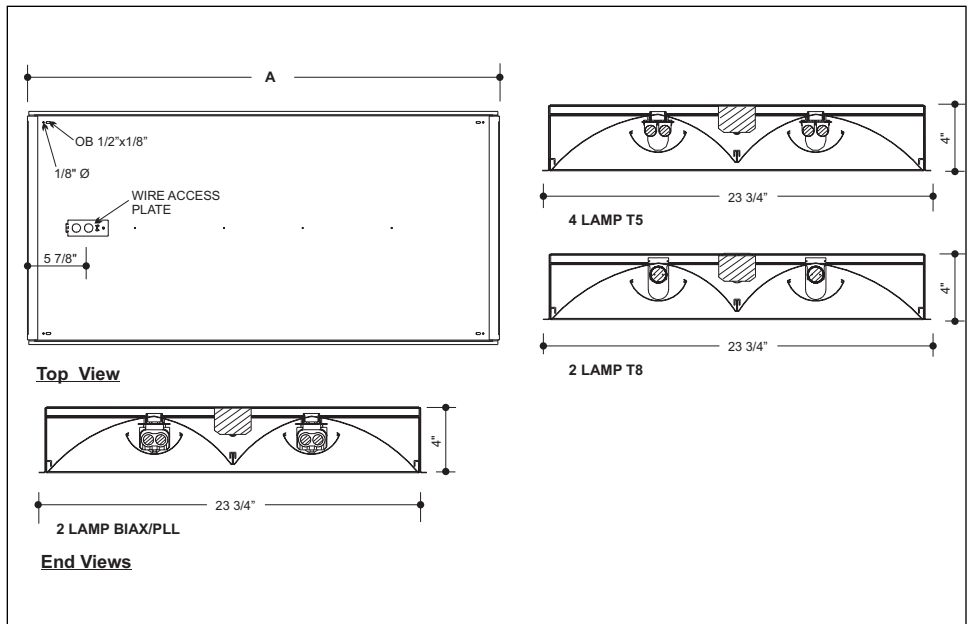


- Dual, basket shaped perforated metal shields.
- Translucent, opal white acrylic diffuser overlay.
- Shallow design. Only 4" deep.
- Clean appearance. No exposed fasteners.
- Available with 2 or 4 lamps.
- Uses T5, T8 or Biax lamps.



APPLICATIONS

Office Areas / Retail Stores / Class Rooms / Corridors .

GENERAL DESCRIPTION

Premium grade, recessed, high performance, lay-in direct/indirect coffered T-bar troffer with modern styling and high visual comfort. Comes with dual basket shaped perforated metal shields. Available in 2'x2' and 2'x4' configurations. Shallow design accommodates mounting into low ceiling plenums. For use in indoor applications where low glare, high quality and ease of installation are required.

CONSTRUCTION

Die formed and spot welded, heavy gauge cold rolled steel housing assembly. Precision formed, cold rolled steel reflector. Die formed, perforated cold rolled steel shielding.

MOUNTING

Holes provided for chain mounting support to building structure. Integral earthquake clips provided.

FINISH

Powder painted matte white visible surfaces.

OPTICS

Shields are perforated for direct illumination and contain a translucent opal white acrylic overlay diffuser for visual comfort. Indirect reflectors are precision formed and contoured to provide soft, low glare indirect illumination while maintaining high efficiency and a wide uniform lighting distribution.

ELECTRICAL

All electrical components are UL or CSA approved. Lamp holders provided ensure positive lamp retention. Standard ballasts are electronic. The standard voltage is 120V, 60 Hz, or as specified. Units suitable for multi-voltages and suitable for 50-60 Hz are also available. Fixtures are provided with an access plate, to facilitate wiring to external power source. Sufficient knockouts are provided for connections and through wiring. Approximately 6" ballast leads extend through wiring access cover, in order to facilitate external wiring of luminaire.

APPROVALS

Approved to UL and CSA standards.



