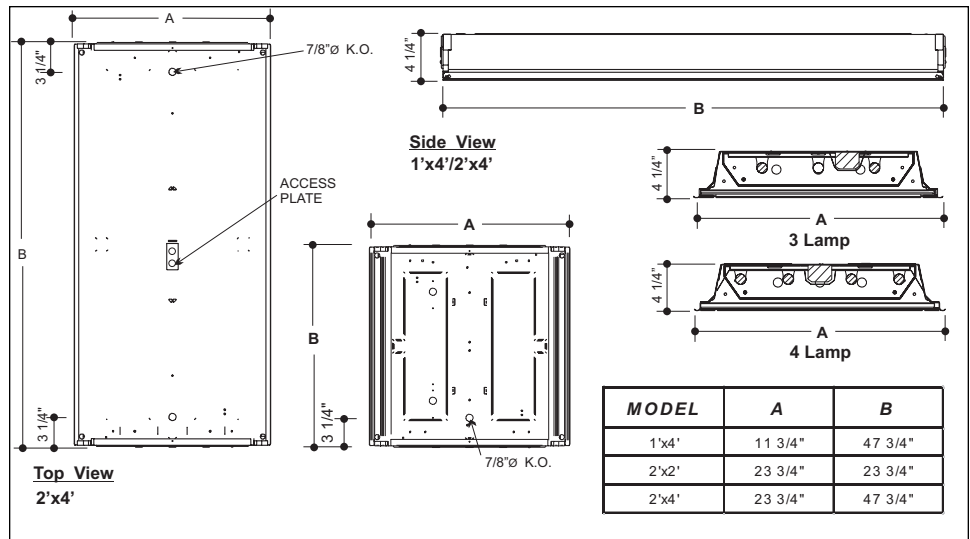




- HID alternative or replacement for gymnasiums with T-bar ceiling.
- Multiple lamp and ballast combinations.
- CNC formed, multi faceted reflector is available in many finishes, including 95% enhanced specular aluminum and 92% high performance white aluminum.
- Rigid, heavy-duty construction.
- Steel housing with white enamel finish.
- Multi level switching, full dimming, and emergency options available.
- Motion sensor compatible.



### APPLICATIONS

Gymnasiums / Athletic Centers / Multi-Purpose Rooms / Fellowship Halls / Vandal Susceptible Areas

### GENERAL DESCRIPTION

Specification grade, high performance, recessed fixture. For use in indoor applications where efficiency, high performance and ease of installation are required. High performance design makes this luminaire ideal as an HID alternative. Fluorescent lamps offer instant warm up and re-strike as well as maintained lumen output, higher CRI, and maintained color. Rotary locking lampholders are standard.

### CONSTRUCTION

Die formed and code gauge pre-painted white cold rolled steel housing assembly. Die formed and spot welded, heavy gauge cold rolled steel door frame. Welded, 11 gauge, narrow cell (1" x 4"), cold rolled steel wire guard. Wire guard and optional overlay is held within a rugged hinged door frame by retaining springs. The heavy gauge door frame hinges downward, on either side, and is held in the closed position by two positive cam latches. The metal-to-metal design of the door eliminates most light leaks. Wiring access plate or knockouts are provided on back of housing, for flexible conduit attachment. (4' Units only.) Knockouts are provided on ends for through wiring.

### MOUNTING

Lay-in type fixture for exposed grid type acoustical ceiling structure. Holes provided for chain mounting support to building structure.

### FINISH

Pre-painted high reflectance white housing. Powder painted white wire-guard and door frame.

### OPTICS

CNC formed multi-faceted optimized reflector is available in numerous finishes and materials. 95% enhanced specular aluminum is standard. A protective layer is removed during installation to ensure a clean, blemish free reflective surface. Lenses are available.

### ELECTRICAL

All electrical components are UL and CSA approved. Lamp holders are rotary lock for secure lamp retention and stability. Available in 120V and 277V. Contact factory for other voltages. Electronic ballast is standard and available in numerous configurations. Multi-level switching and dimming is available as an option. Sufficient knockouts are available for electrical connection.

### APPROVALS

Approved to UL and CSA standards.

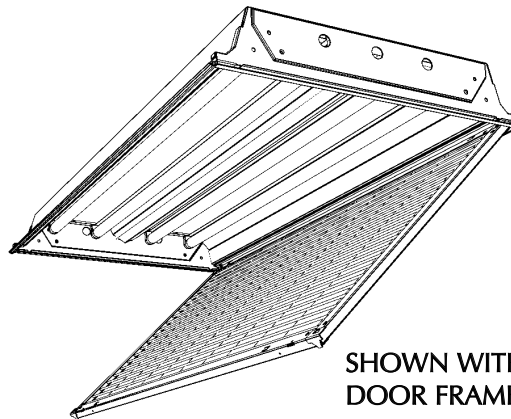


### OPTIONS

- Electronic dimming ballasts.
- 92% High performance white aluminum.
- Powder painted finish.
- No cartons - Bulk packed and wrapped on pallets
- 20 gauge riveted construction.
- Polycarbonate rotary lock lampholders.

### ACCESSORIES

- Emergency lighting power pack.
- Fuse holder.
- Radio interference filter.
- Earth quake Mounting clips.
- Lamps installed (Specify type).
- Lamps included but not installed.
- Light leak bands.
- Light leak gasketing.
- Flexible metal whip - 6' x 3/18 gauge conductors.
- Prismatic acrylic diffuser.
- Prismatic polycarbonate diffuser.
- Clear polycarbonate diffuser.
- Multi level switching.



SHOWN WITH STANDARD HINGED DOOR FRAME ASSEMBLY

### ORDERING KEY

