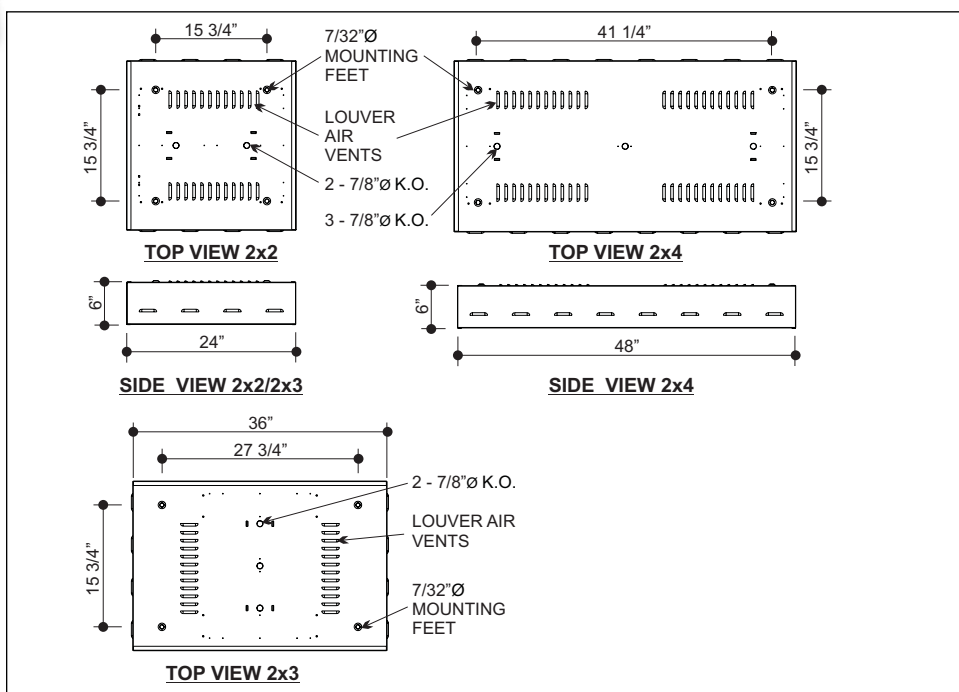


- HID alternative or replacement.
- Multiple lamp and ballast combinations
- CNC formed, multi-faceted reflector is available in multiple finishes, including 95% enhanced specular aluminum, and 92% high performance white aluminum
- Locking lampholders
- Lensed or louvered
- Motion sensor compatible
- Multi-level switching options
- Fully dimmable
- Emergency options available
- Rigid, heavy-duty construction



APPLICATIONS

Gymnasiums / Athletic Centers / Multi-purpose Rooms / Retail Stores / Supermarkets.

GENERAL DESCRIPTION

Specification grade, high performance, lensed or louvered. For use in indoor applications where high efficiency, high performance, and ease of installation are required. High performance design makes this luminaire ideal as an HID alternative. Fluorescent lamps offer instant warm up and re-strike as well as maintained lumen output, higher CRI, and maintained color. Locking lampholders are standard.

CONSTRUCTION

Die formed and spot welded, 22 gauge cold rolled steel housing assembly. Spot-welded for rigidity and clean appearance. Ballast cover snaps into place eliminating the need for tools when accessing the ballast. Diffuser is held within a hinged door frame door. The heavy gauge door frame hinges downward, on either side, and is held in the closed position by two positive cam latches.

MOUNTING

Knockouts provided for stem mounting. Mounting holes are provided.

FINISH

Powder painted white housing. Custom colors available.

OPTICS

CNC formed multi-faceted optimized reflector is available in numerous finishes and materials. 95% enhanced specular aluminum is standard. A protective layer is removed during installation to ensure a clean, blemish free reflective surface. Specification grade pattern 19 prismatic acrylic is standard.

ELECTRICAL

All electrical components are UL or CSA approved. Locking lamp holders are standard for secure lamp retention and stability. Available in 120V and 277V. Contact factory for other voltages. Electronic ballast is standard and available in numerous configurations. Multi level switching and dimming is available as an option. Sufficient knockouts are available for electrical connection.

APPROVALS

Approved to UL and CSA standards.

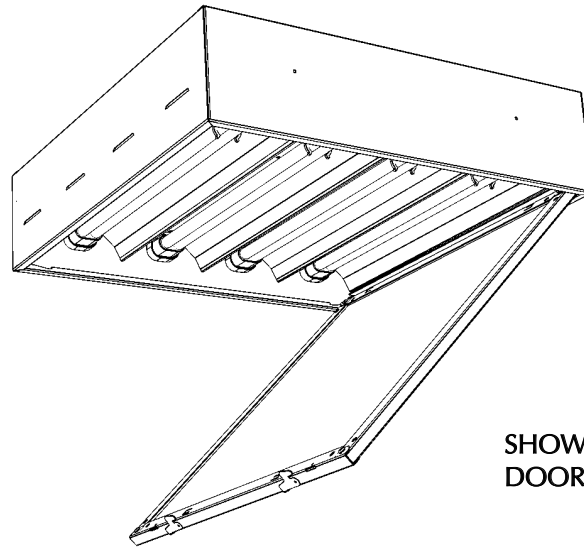


OPTIONS

- 92% high performance white aluminum
- Electronic dimming ballasts
- Multi level switching
- A12 acrylic prismatic lens
- A23 High dispersion acrylic lens
- Prismatic polycarbonate lens
- Optically clear polycarbonate or acrylic lens
- 3/4x3/4x3/8 silver parabolic louver
- Consult factory for other finishes and lenses
- Lamps, specify type and color

ACCESSORIES

- Motion sensor and assembly
- Emergency lighting power pack.
- Wire guard
- Fuse holder
- Radio frequency suppressor



SHOWN WITH STANDARD HINGED DOOR FRAME ASSEMBLY

ORDERING KEY

