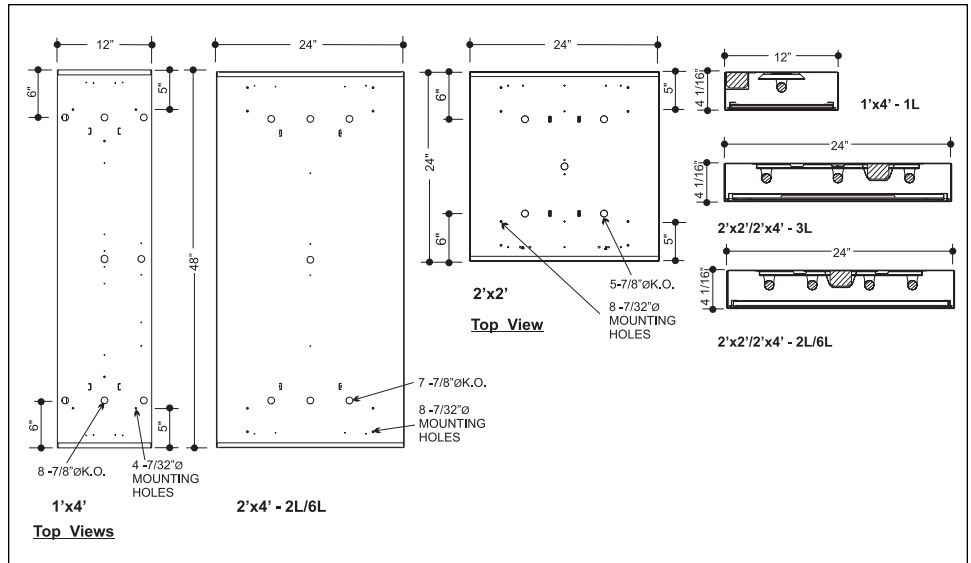


- Welded steel housing with white enamel finish.
- Clean appearance. No exposed fasteners.
- Shallow design. Only 4" deep.
- Ultra shallow 3" deep units optional.
- Heavy duty construction.
- Clear, prismatic, acrylic diffuser.
- Exclusive "Lite Lok" frame reduces light leaks.
- Frame hinges on either side. Die formed steel pin hinges.
- Positive locking, cam action latches. Matching finish.
- Available with 1, 2, 3, 4 or 6 lamps.



### APPLICATIONS

Office Areas / Stairwells / Corridors / Class Rooms / Hospital / Nursing Homes

### GENERAL DESCRIPTION

Specification grade, surface mounted ceiling luminaire. For use in indoor applications where aesthetics and quality are important. Available in 2'x2', 2'x4', 1'x4', and 4'x4' configurations.

### CONSTRUCTION

Die formed and spot welded, 22 gauge cold rolled steel housing assembly. Spot-welded for rigidity and clean appearance. Ballast cover snaps into place eliminating the need for tools when accessing the ballast. Diffuser is held within a hinged frame door. The heavy gauge door frame hinges downward, on either side, and is held in the closed position by two positive cam latches. The metal-to-metal design of the door eliminates most light leaks.

### MOUNTING

Knock-outs are provided for stem mounting. Mounting holes are provided.

### FINISH

Powder painted white visible surfaces.

### OPTICS

CNC formed multi-faceted optimized reflector is available in numerous finishes and materials. Specification grade pattern 19 prismatic acrylic is standard.

### ELECTRICAL

All electrical components are UL or CSA approved. The standard voltage is 120V, 60 Hz, or as specified. Units suitable for multi-voltages and suitable for 50-60 Hz are also available. Electronic Ballast is Standard. See Product Selection for optional ballasts. Sufficient knockouts are provided on the back for electrical feed connection.

### APPROVALS

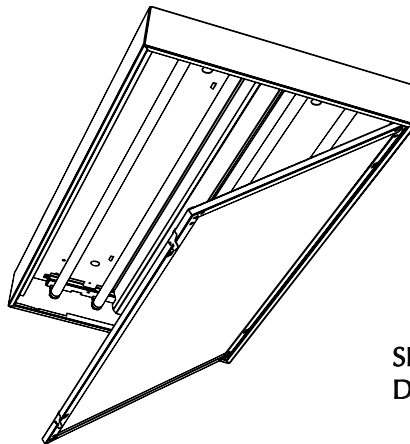
Approved to UL or CSA standards.

### OPTIONS

- 95% specular aluminum reflector.
- 92% high performance white aluminum
- Electronic dimming ballasts
- Multi level switching
- A12 acrylic prismatic lens
- A23 High dispersion acrylic lens
- Prismatic polycarbonate lens
- Optically clear polycarbonate or acrylic lens
- 3/4x3/4x3/8 silver parabolic louver
- Polycarbonate rotary locking lamp holders
- Consult factory for other finishes and lenses
- Lamps, specify type and color

### ACCESSORIES

- Motion sensor and assembly
- Emergency lighting power pack.
- Wireguard
- Fuse holder
- Radio frequency suppressor
- Light leak gasketing



SHOWN WITH STANDARD HINGED DOOR FRAME ASSEMBLY

### ORDERING KEY

