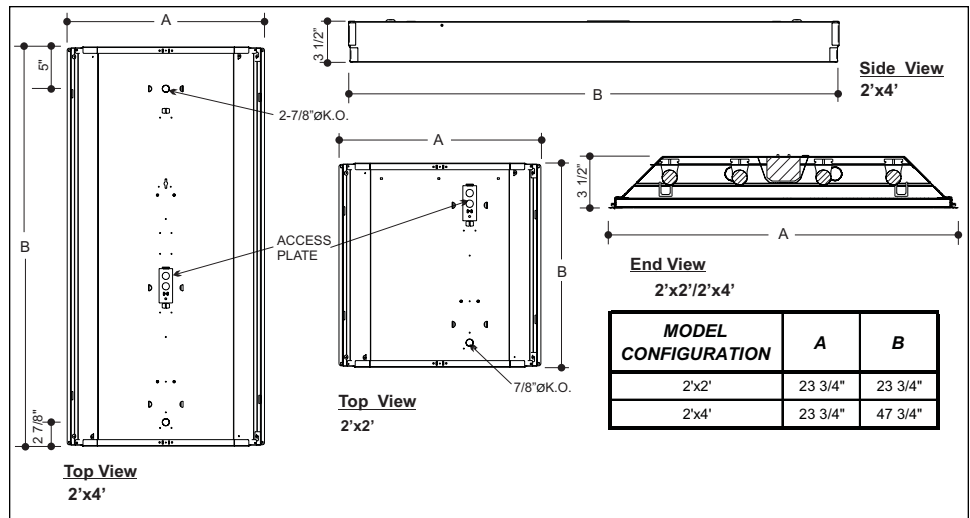




- Extra shallow design.
- Ideal for restricted plenum spaces.
- Clear, prismatic, acrylic diffuser.
- CNC formed, multi-faceted reflector is available in many finishes, including 95% specular aluminum and 92% high performance white aluminum.
- Hinges either side. Die formed steel T-hinges.
- Access plate for quick wiring.
- Integral earthquake clips.
- Available with 2, 3 or 4 lamps.
- Steel housing with white enamel finish.
- Exclusive "Lite Lok" frame reduces light leaks.



APPLICATIONS

Office Areas, Class Rooms, Retail Stores, Hospital / Multi-Purpose Rooms / Supermarkets

GENERAL DESCRIPTION

Economy grade, recessed, lay-in T-Bar luminaire with framed door. For use in applications where low cost, high quality and ease of installation are required. Shallow design accommodates mounting into low ceiling plenums. Available in 2'x2' and 2'x4' configurations. Available with 95% high reflectance reflector.

CONSTRUCTION

Die formed and embossed, code gauge pre-painted white cold rolled steel housing assembly. Wiring access plate or knockouts are provided on back of housing, for flexible conduit attachment. Knockouts are provided on ends for through wiring. Ballast cover snaps into place eliminating the need for tools when accessing the ballast. Diffuser is held within a hinged frame door. The heavy gauge door frame hinges downward, on either side, and is held in the closed position by two positive cam latches. The metal-to-metal design of the door eliminates most light leaks.

MOUNTING

Lay-in type fixture for exposed grid type acoustical ceiling structure. Holes provided for chain mounting support to building structure. Integral earthquake clips provided.

FINISH

Pre-painted high reflectance white housing.

OPTICS

Standard diffuser is a clear, prismatic, pattern #12 extruded acrylic lens, designed for high efficiency and low glare illumination. Optional Shielding is available. CNC formed multi-faceted optimized reflector is available as an option in numerous finishes and material. A protective layer is removed during installation to ensure a clean, blemish free reflective surface.

ELECTRICAL

All electrical components are UL or CSA approved. The standard voltage is 120V, 60 Hz, or as specified. Units suitable for multi-voltages and suitable for 50-60 Hz are also available. Electronic ballast is standard and available in numerous configurations. See Product Selection for optional ballasts. Sufficient knockouts are provided on the back and ends for connections and through wiring. Fixtures are provided with an access plate, to facilitate wiring to external power source. Approximately 6" ballast leads extend through wiring access cover, in order to facilitate external wiring of luminaire.

APPROVALS

Approved to UL and CSA standards.

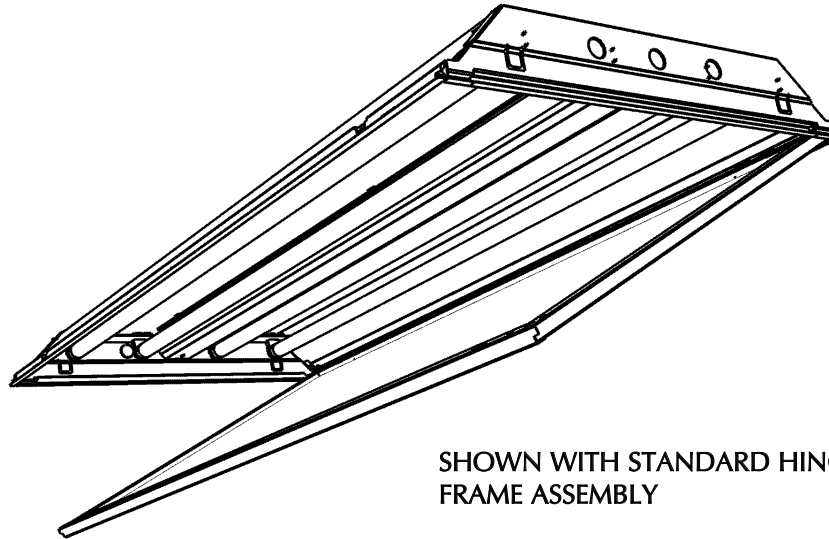


OPTIONS

- Electronic and dimming ballasts.
- Optional lenses and louvers.
- 95% Specular aluminum
- 92% High performance white aluminum
- Powder painted finish.
- No cartons - Bulk packed and wrapped on pallets.
- Regressed aluminum door frame.
- 20 gauge riveted construction.
- Polycarbonate rotary lock lampholders.

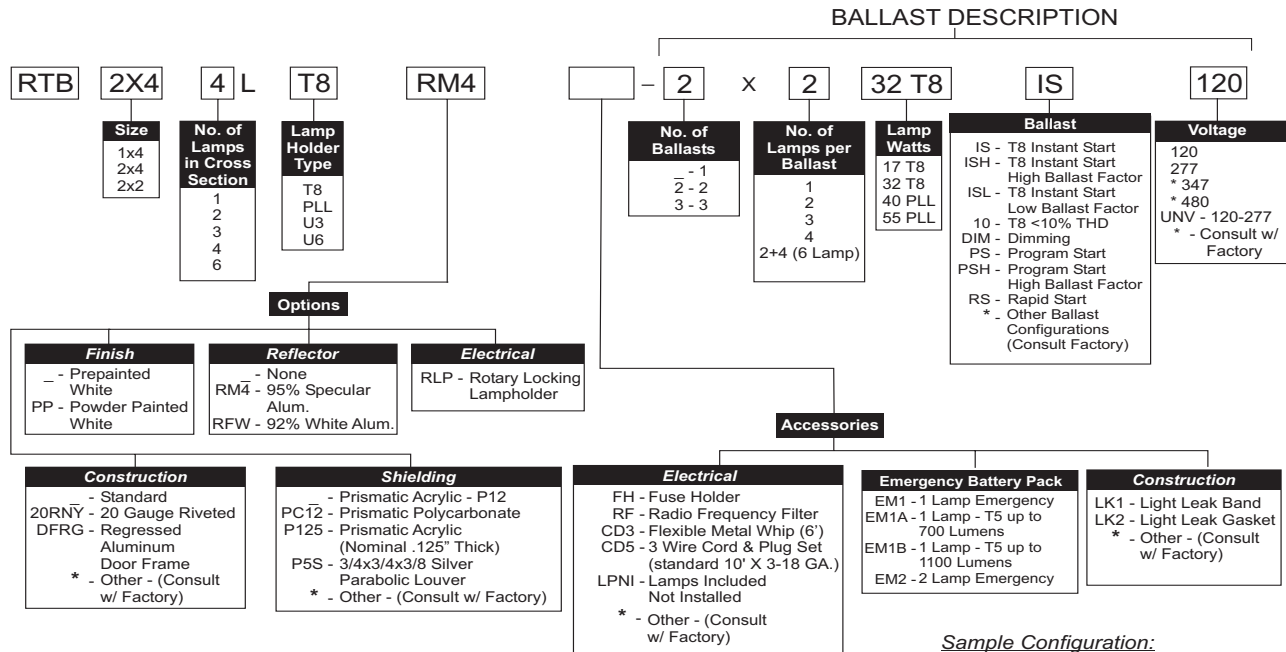
ACCESSORIES

- Emergency lighting power pack.
- Light leak bands.
- Fuse holder.
- Radio interference filter.
- Three wire cord & plug set.
- Flexible metal whip - 6'x 3/18 gauge conductors.
- Modular wiring system. (Consult factory).
- Lamps, specific type and color.



SHOWN WITH STANDARD HINGED DOOR FRAME ASSEMBLY

ORDERING KEY



Sample Configuration:

RTB 2X4 4L T8 RM4 - 2X232T8IS120

**Note: Certain configurations may not be available*