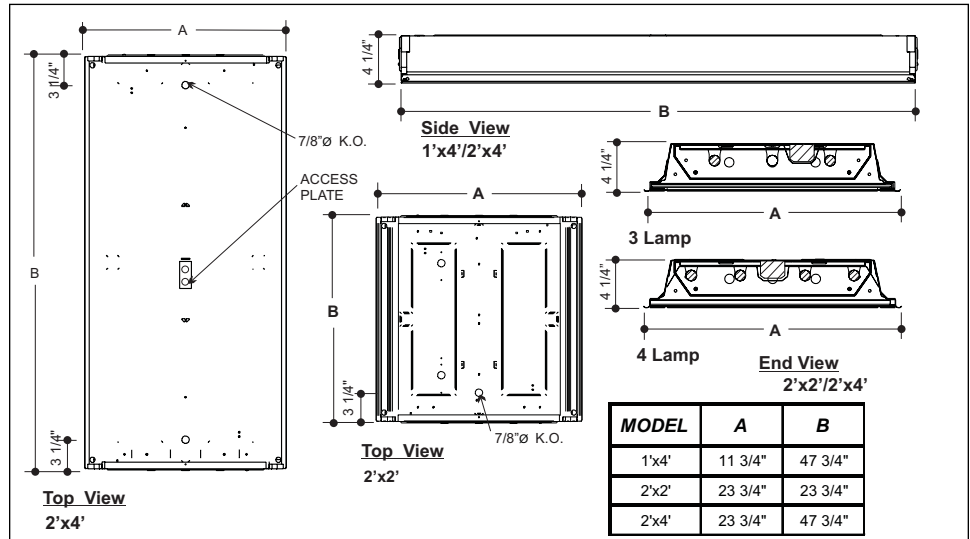


- Clear, prismatic, acrylic diffuser.
- Hinges either side.
- Die formed steel T - Hinges.
- Heavy duty construction.
- CNC formed, multi faceted high reflectance aluminum reflector are available
- Rotary Locking Lampholders
- Access plate for quick wiring.
- Available with 1, 2, 3, 4, 5 or 6 lamps.
- Steel housing with white enamel finish.



APPLICATIONS

Office Areas / Class Rooms / Retail Stores / Hospitals.

GENERAL DESCRIPTION

Specification grade, recessed, lay-in T-Bar luminaire with framed door. For use in indoor applications where high quality and ease of installation are required. Available in 2'x2', 2'x4' and 1'x4' configurations. Metric versions available. Depending on lamp and ballast configuration, efficiency exceeds 83%.

CONSTRUCTION

Die formed, code gauge pre-painted white cold rolled steel housing assembly. Wiring access plate or knockouts are provided on back of housing, for flexible conduit attachment, (4' Units only). Knockouts are provided on ends for through wiring. Ballast cover snaps into place eliminating the need for tools when accessing the ballast. Diffuser is held within a hinged frame door. The heavy gauge door frame hinges downward, on either side, and is held in the closed position by two positive cam latches. The metal-to-metal design of the door eliminates most light leaks.

MOUNTING

Lay-in type for exposed grid type acoustical ceiling structure. Holes provided for chain mounting support to building structure.

FINISH

Pre-painted high reflectance white housing.

OPTICS

Standard diffuser is a clear, prismatic, pattern #12 extruded acrylic lens, designed for high efficiency and low glare illumination. Optional Shielding is available. CNC formed multi-faceted optimized reflector is available as an option in numerous finishes and material.

ELECTRICAL

All electrical components are UL and CSA approved. The standard voltage is 120V, 60 Hz, or as specified. Units suitable for multi-voltages and suitable for 50-60 hz are also available. Standard electronic ballasts are instant start, with a THD of less than 20%. See Product Selection for optional ballasts. Sufficient knockouts are provided on the back and ends for connections and through wiring. Fixtures are provided with an access plate, to facilitate wiring to external power source. Approximately 6" ballast leads extend through wiring access cover, in order to facilitate external wiring of luminaire.

APPROVALS

Approved to UL and CSA standards.

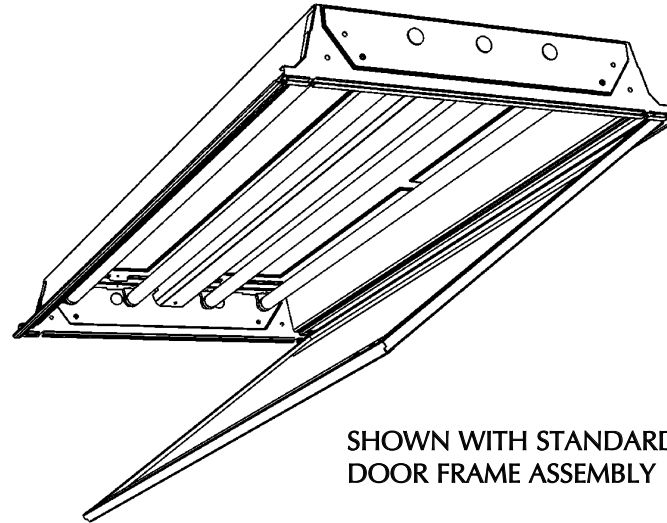


OPTIONS

- Electronic and dimming ballasts.
- Optional lenses and louvers.
- 95% Specular aluminum
- 92% High performance white aluminum
- Powder painted finish.
- No cartons - Bulk packed and wrapped on pallets.
- Regressed aluminum door frame.
- 20 gauge riveted construction.
- Polycarbonate rotary lock lampholders.
- Metric configurations. (Consult Factory).

ACCESSORIES

- Emergency lighting power pack.
- Fuse holder.
- Radio interference filter.
- Earthquake Mounting clips.
- Lamps, specify type & color.
- Light leak bands.
- Light leak gasketing.
- Single and two circuits cords.
- Flexible metal whip - 6'x 3/18 gauge conductors.



SHOWN WITH STANDARD HINGED DOOR FRAME ASSEMBLY

ORDERING KEY

