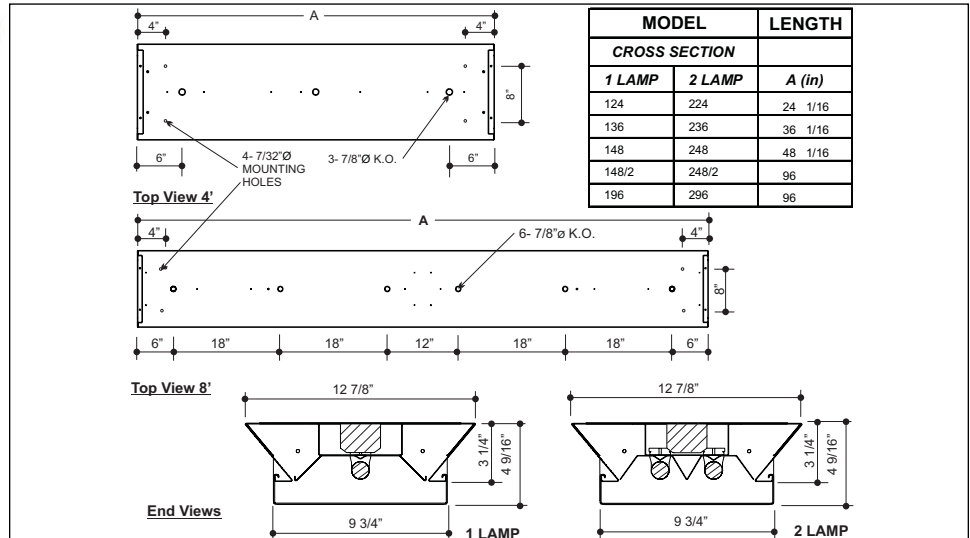


- Ideal for retrofit installations.
- Extra wide footprint ensures coverage of existing ceiling lines and holes.
- Clear acrylic diffuser with prismatic bottom and ribbed linear sides.
- Diffuser, self aligns and hinges from either side for easy maintenance.
- Available with 1 or 2 lamps.
- Continuous row mounting capability.
- Steel housing and ends with white enamel finish.



### APPLICATIONS

Retrofit / Office Areas / Retail Stores / Corridors / Class Rooms.

### GENERAL DESCRIPTION

Specification grade, surface mounted wraparound luminaire with low brightness linear sides. Used for indoor retrofit applications where existing luminaire's can be replaced with newer energy efficient lamp and ballast combinations while covering ceiling tiles, unpainted areas and holes from recessed lighting, eg. pot lights. Available with high reflectance (95%) RM4 reflector.

### CONSTRUCTION

Precision formed, code gauge cold rolled steel housing assembly. Diffuser hinges from either side in a lift and shift manner and is self centering. End caps may be butted together for continuous row mounting. Flattened knockouts are provided on ends for flexible conduit attachment.

### MOUNTING

Mounting holes are provided.

### FINISH

Powder painted high reflectance white visible surfaces. Pre-painted high reflectance white reflector.

### OPTICS

Wrap-around, extruded clear acrylic diffuser with prismatic bottom and ribbed linear sides, designed for high efficiency and visual comfort. Optional reflector configurations are available in high reflectance aluminum.

### ELECTRICAL

All electrical components are UL & CSA approved. Ballasts and lamp holders are replaceable without removing the luminaire from the mounting surface. All electrical components are mounted on housing only. Standard ballasts are electronic. See Product Selection for optional ballasts. The standard voltage is 120V, 60 Hz, or as specified. Other Voltage and frequency ratings are also available. Sufficient knockouts are provided on the back and ends for connections and through wiring.

### APPROVALS

Approved to UL and CSA standards.

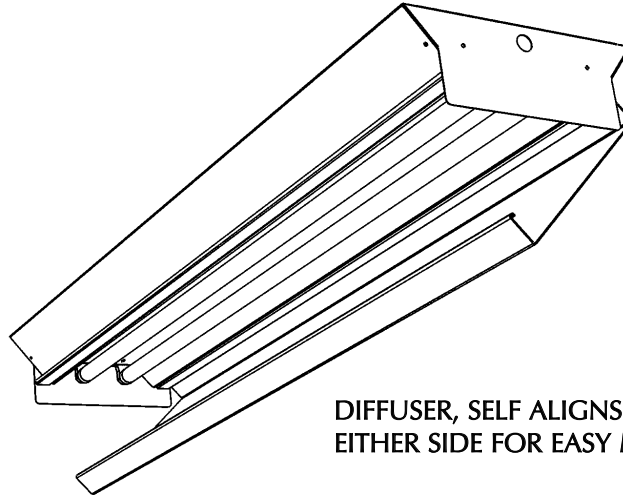


### OPTIONS

- Single 8 foot clear acrylic prismatic lens.
- 95% Specular aluminum reflector.
- 92% white enhanced aluminum reflector.

### ACCESSORIES

- Emergency lighting powerpack.
- Fuse holder.
- Radio frequency filter.
- Motion sensor & assembly.
- Lamp, specify type & color.



DIFFUSER, SELF ALIGNS AND HINGES FROM EITHER SIDE FOR EASY MAINTENANCE

### ORDERING KEY

